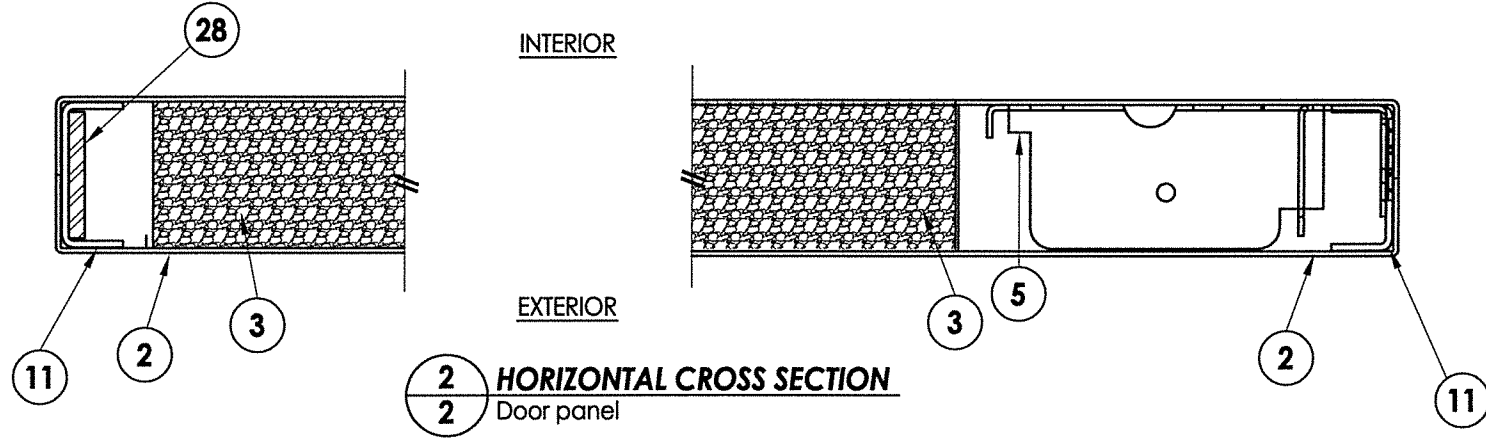
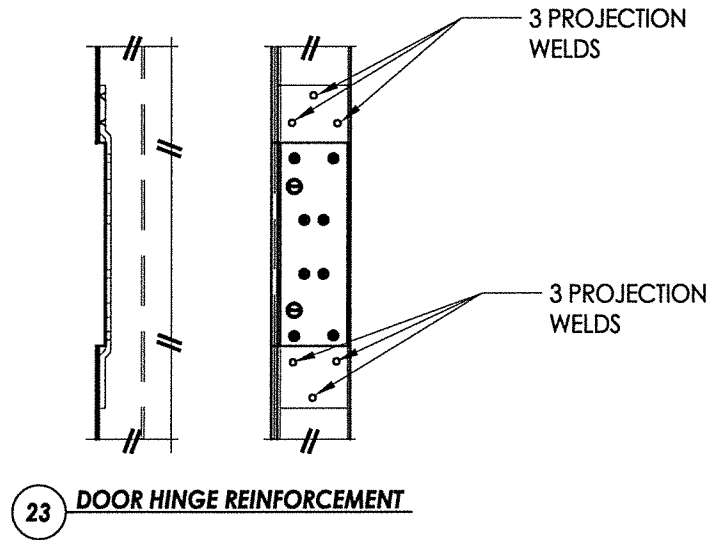


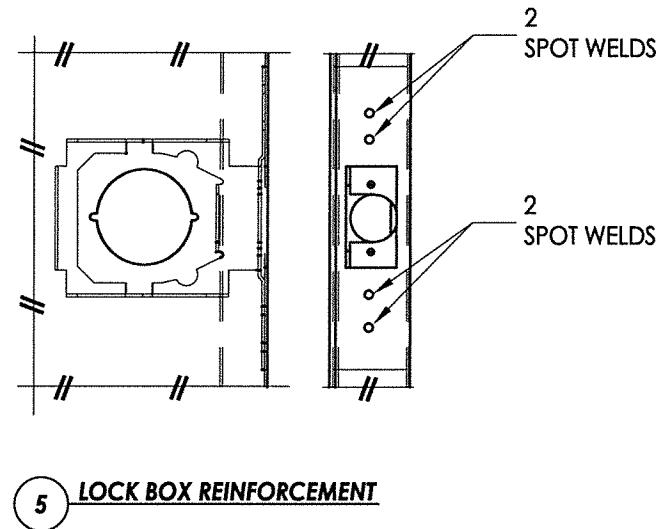
1 "D" OPAQUE STEEL DOOR PANEL



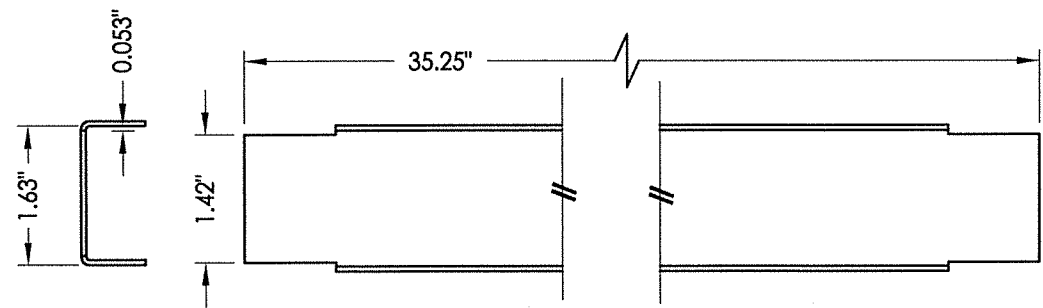
2 HORIZONTAL CROSS SECTION
2 Door panel



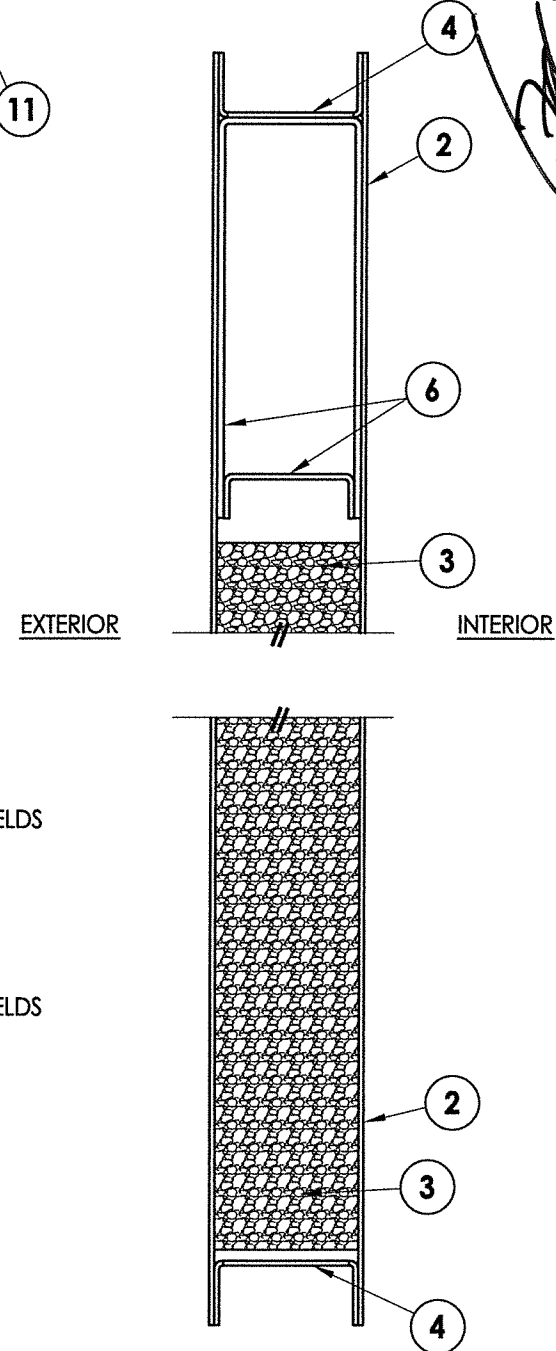
11 DOOR STILE EDGE
Reinforcement



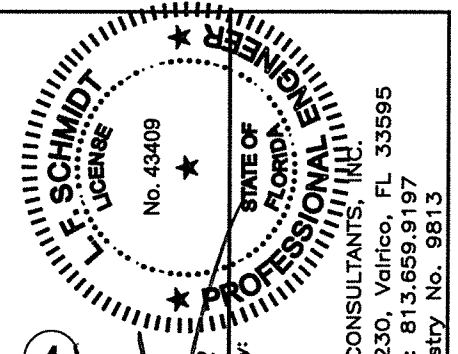
5 LOCK BOX REINFORCEMENT



4 DOOR TOP & BOTTOM CLOSER



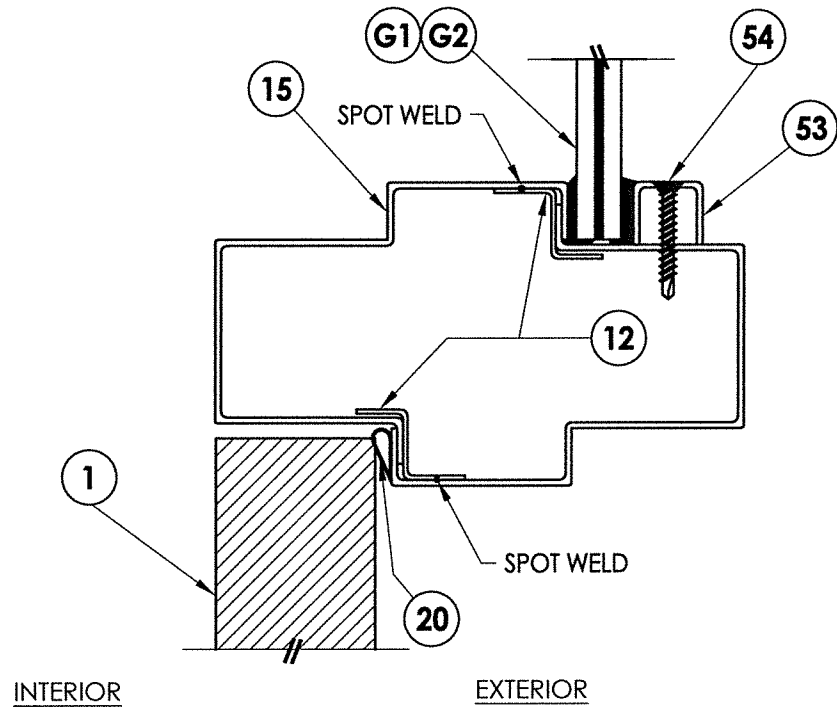
1 VERTICAL CROSS SECTION
2 Door panel



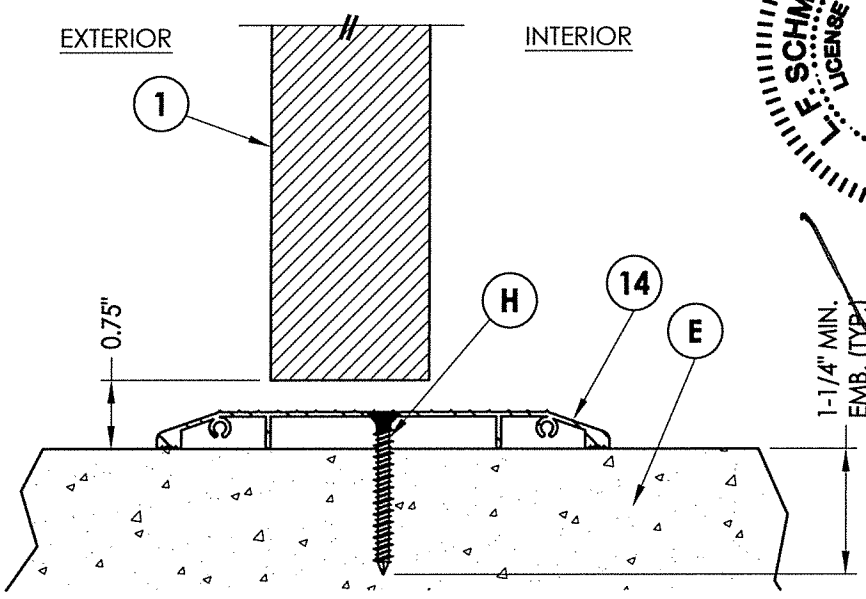
November 15, 2022
Documents Prepared By:
Lyndon F. Schmidt
P.E. No. 43409

RW BUILDING CONSULTANTS, INC.
P.O. Box 230, Valrico, FL 33595
Phone No.: 813.659.9197
FBPE Registry No. 9813

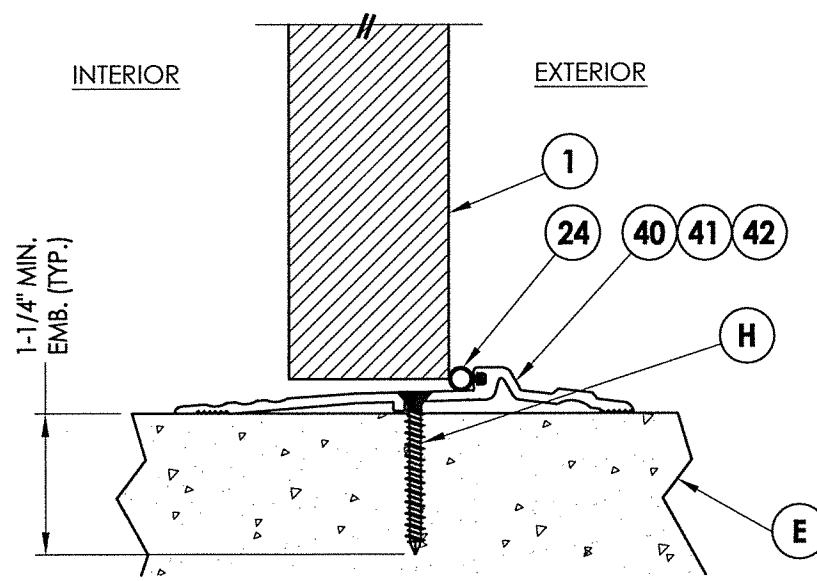
PRODUCT: PREMIER PRODUCTS, INC. "D" STEEL DOOR	
PART OR ASSEMBLY: DOOR PANEL SECTIONS 161 LOCK PREP	
NO.	DATE
BY	
REVISIONS	
DATE: 11/10/22	
SCALE: N.T.S.	
DWG. BY: LFS	
CHK. BY: RW	
DRAWING NO.: FL-41788.9	
SHEET 2 OF 9	



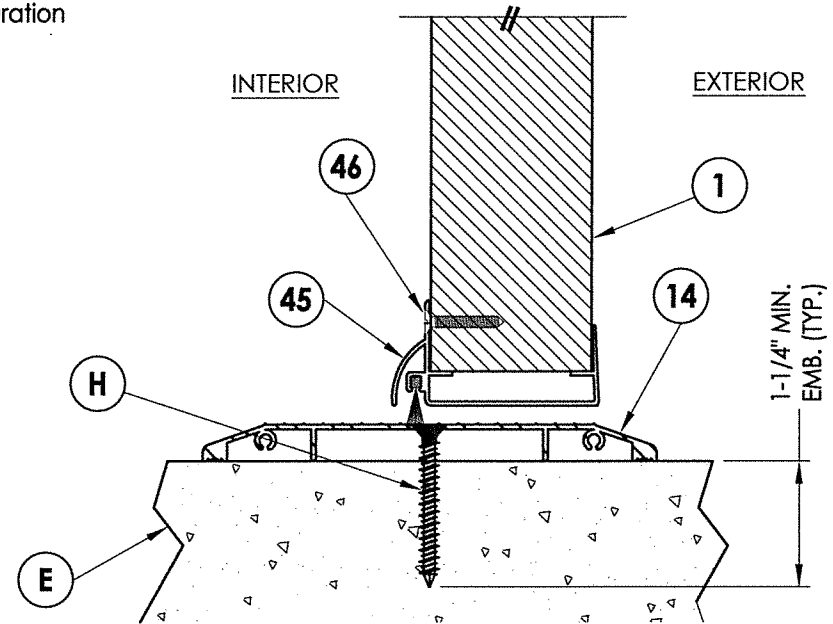
1
4 VERTICAL CROSS SECTION
Inswing configuration



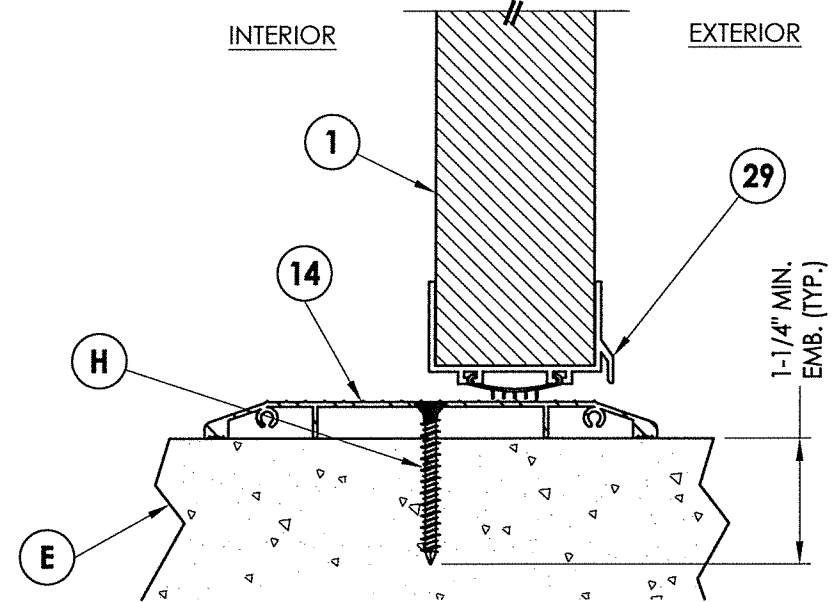
5
4 VERTICAL CROSS SECTION



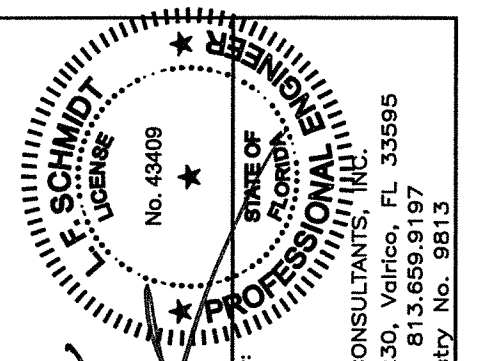
2
4 VERTICAL CROSS SECTION
Inswing configuration



3
4 VERTICAL CROSS SECTION
Inswing configuration

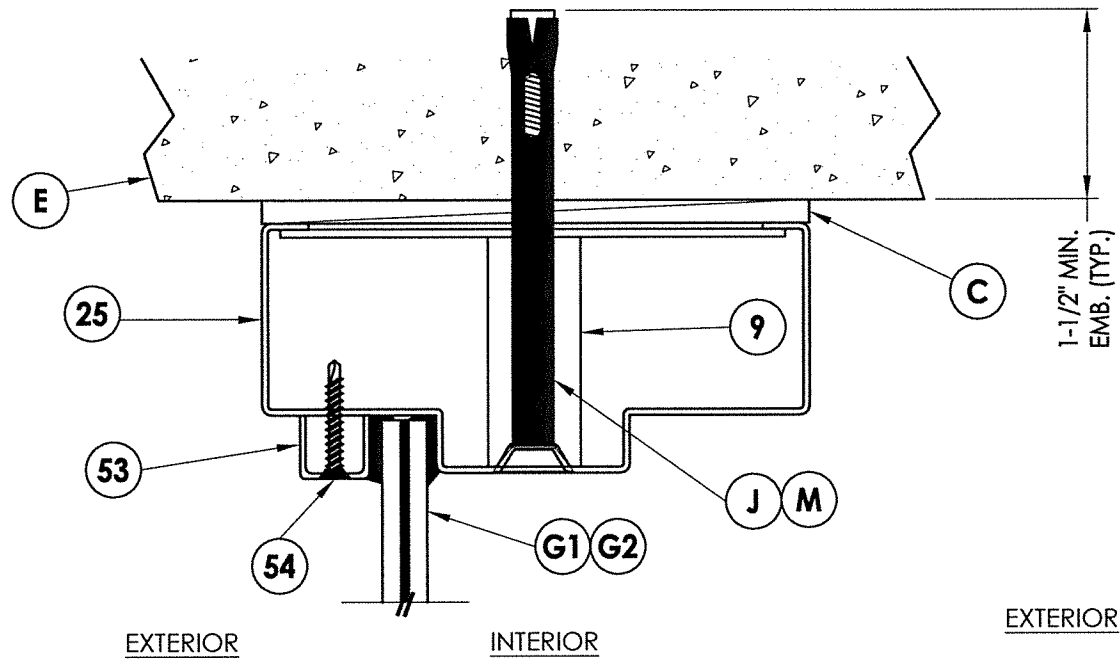


4
4 VERTICAL CROSS SECTION
Inswing configuration

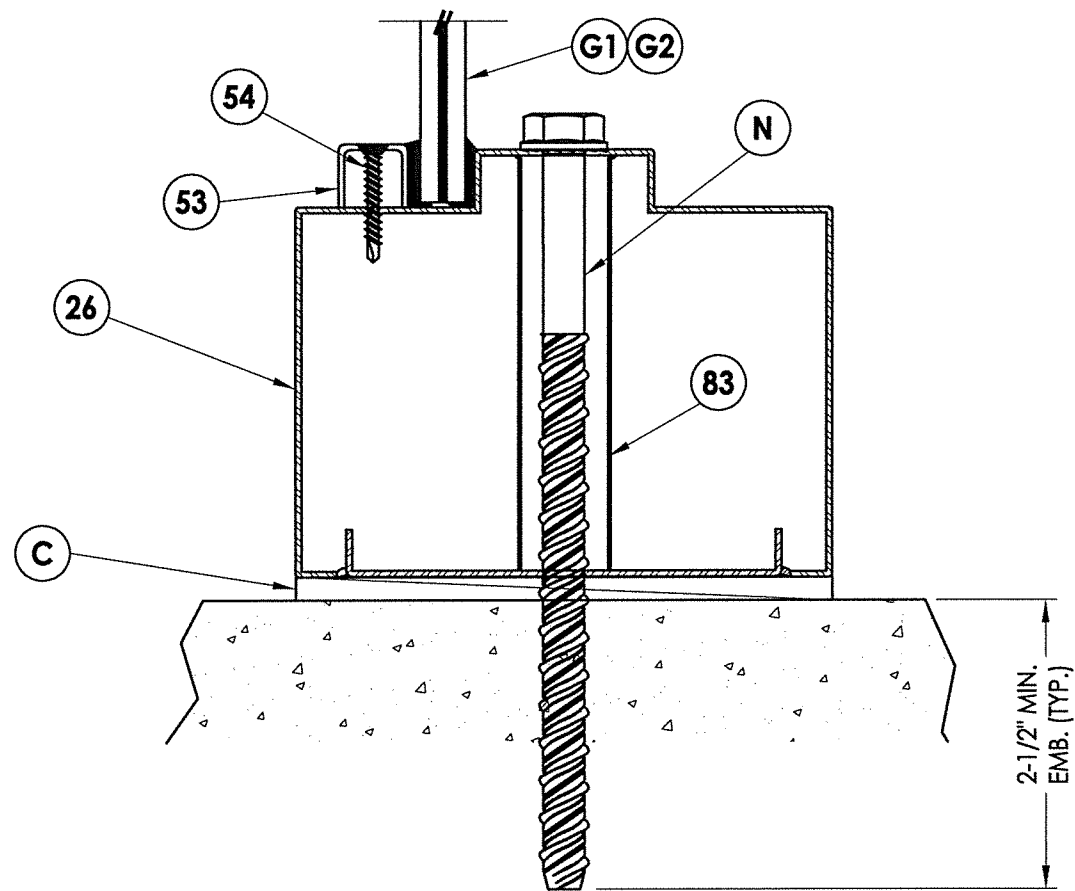


November 15, 2022
 Documents Prepared By:
 Lyndon F. Schmidt
 P.E. No. 43409
 R.W.
 BUILDING CONSULTANTS, INC.
 P.O. Box 230, Valrico, FL 33595
 Phone No.: 813.659.9197
 FBPE Registry No. 9813

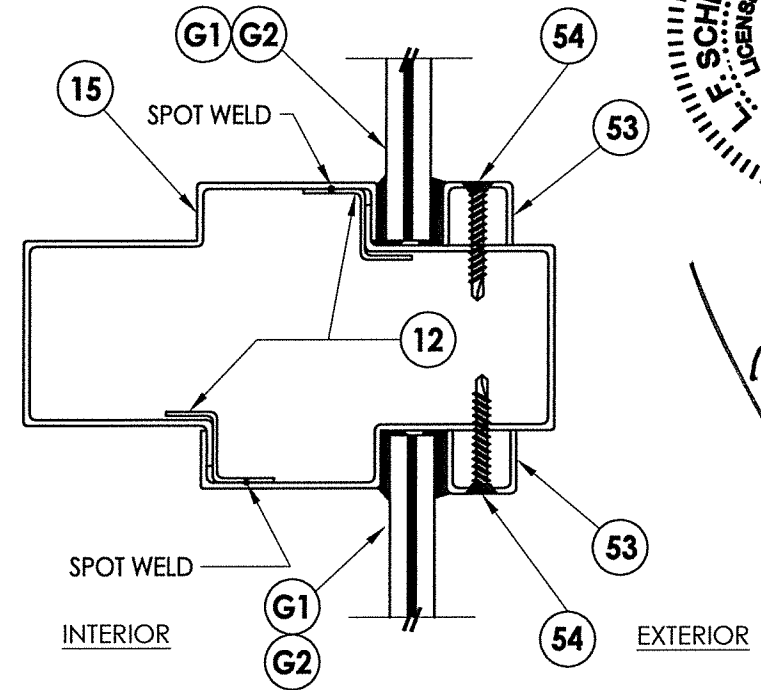
PRODUCT:		PREMIER PRODUCTS, INC.	
		"D" OPAQUE STEEL DOOR	
PART OR ASSEMBLY:		VERTICAL CROSS SECTIONS	
NO.	DATE	BY	REVISIONS
1	1/06/15	RW	UPDATE TO 5th ED. (2014) FBC
DATE: 11/10/22			
SCALE: N.T.S.			
DWG. BY: LFS			
CHK. BY: RW			
DRAWING NO.: FL-41788.9			
SHEET 4 OF 9			



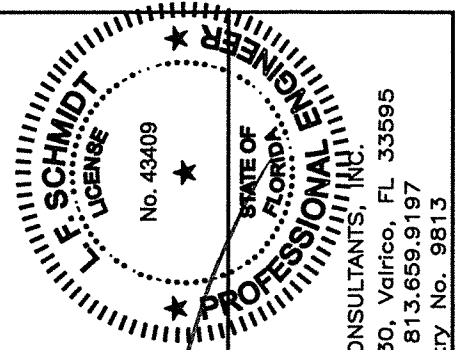
1
6 VERTICAL CROSS SECTION



3
6 VERTICAL CROSS SECTION



2
6 VERTICAL CROSS SECTION



[Signature]

November 15, 2022

Documents Prepared By:
Lyndon F. Schmidt
P.E. No. 4-3409

R.W. BUILDING CONSULTANTS, INC.
P.O. Box 230, Vairco, FL 33595
Phone No.: 813.659.9197
FBPE Registry No. 9813

PRODUCT:
PREMIER PRODUCTS, INC.
"D" STEEL DOOR

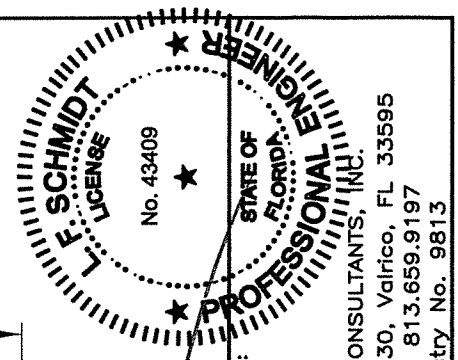
PART OR ASSEMBLY:
VERTICAL CROSS SECTIONS

NO.	DATE	BY	REVISIONS

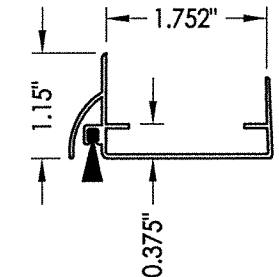
DATE: 11/10/22
SCALE: N.T.S.
DWG. BY: LFS
CHK. BY: RW
DRAWING NO.: FL-41788.9
SHEET 6 OF 9

Z:\Clients\Premier Products PERMANENT\A - Florida Product Approvals\FL-41788C - Drawings\FL-41788.5-9.dwg

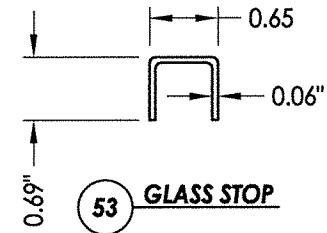
BILL OF MATERIALS					
ITEM	DESCRIPTION	MATERIAL	ITEM	DESCRIPTION	MATERIAL
C	MAX. 1/4" SHIM SPACE	-	23	STANDARD (SHORT) DOOR HINGE MIDDLE BOTTOM REINFORCEMENT	STEEL
E	MASONRY - 3,000 PSI MIN. CONCRETE CONFORMING TO ACI 301 OR HOLLOW BLOCK CONFORMING TO ASTM C90	CONCRETE	24	WEATHER STRIP (THRESHOLD)	NEOPRENE
H	1/4" x 1-3/4" PFH DeWALT OR ITW CONCRETE SCREW	STEEL	25	FRAME 5-3/4" X 2" MIN. (0.056" THK)	STEEL
J	3/8" X 5" PFH ITW DYNABOLT SLEEVE ANCHOR	STEEL	26	FRAME SILL 5-3/4" X 4" MIN. (0.056" THK)	STEEL
M	3/8" X 5" TAPPER CONCRETE SCREW BY POWERS FASTENERS	STEEL	27	LATCH STRIKE REINFORCEMENT	STEEL
N	1/2" X 8" HH SCREW-BOLT+ CONC. ANCHOR (DeWALT/POWERS)	STEEL	28	FRAME HINGE REINFORCEMENT	STEEL
1	"D" OPAQUE STEEL DOOR PANEL	-	29	COLUMBIA DOOR BOTTOM SWEEP #2580	ALUMINUM
2	DOOR SKIN (0.055" THK. STEEL, Fy = 40,317 PSI MIN.)	STEEL	40	THRESHOLD NATIONAL GUARD PRODUCTS, INC. #896	ALUMINUM
3	FOAM 1.0 PCF MIN. DENSITY	POLYSTYRENE	41	THRESHOLD NATIONAL GUARD PRODUCTS, INC. #950	ALUMINUM
4	DOOR TOP & BOTTOM CLOSER	STEEL	42	THRESHOLD PEMKO #2005 V	ALUMINUM
5	LOCK BOX REINFORCEMENT	STEEL	45	95WHA DOOR SWEEP NATIONAL GUARD PRODUCTS, INC.	ALUMINUM
6	CLOSER REINFORCEMENT	STEEL	46	#6 X 3/4" PHILLIPS HEAD SMS	STEEL
8	#12-24 x 1/2" SELF TAPPER	STEEL	51	L-CHANNEL FIXED GLASS STOP	STEEL
9	TUBE ANCHOR	STEEL	52	#8 X 0.5" HH SELF DRILLING SCREW	STEEL
10	#12-24 x 1.0" COMBINATION MACHINE / WOOD SCREW	STEEL	53	U-CHANNEL GLASS STOP	STEEL
11	DOOR STILE EDGE REINFORCEMENT	STEEL	54	#8 X 1.25" PFH SMS	STEEL
12	MULLION Z BRACKET	STEEL	70	SCHLAGE LOCK SET ASSEMBLY ND53PD	STEEL
14	COLUMBIA ADA THRESHOLD #6510	ALUMINUM	71	DESIGN HARDWARE D1-S SERIES DEADBOLT	STEEL
15	MULLION MIN. (0.056" THK)	STEEL	72	DESIGN HARDWARE "Z" SERIES ENTRY	STEEL
16	ANSI LATCH STRIKE	STEEL	76	DESIGN HARDWARE D2-S SERIES DEADBOLT	STEEL
17	DEADBOLT STRIKE	STEEL	77	DESIGN HARDWARE "X" SERIES ENTRY	STEEL
19	DEADBOLT STRIKE REINFORCEMENT	STEEL	78	OUTSWING THRESHOLD QOSH BY DLP	ALUM/WOOD
20	WEATHER-STRIP	NEOPRENE	79	WEATHER-STRIP	FOAM
21	4-1/2" X 4-1/2" X 0.125" TEMPLATE HINGE	STEEL	81	DOW 995 STRUCTURAL SILICONE	SILICONE
22	STANDARD (LONG) DOOR HINGE TOP HINGE REINFORCEMENT	STEEL	82	GLASS SPACER	ALUM
			83	SILL TUBE ANCHOR	STEEL



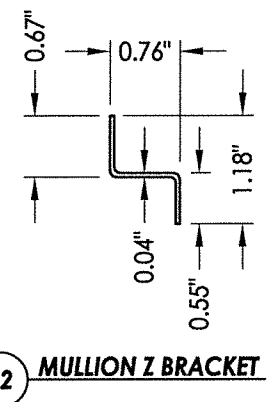
November 15, 2022
 Documents Prepared By:
 Lyndon F. Schmidt
 P.E. No. 43409
 R.W. BUILDING CONSULTANTS, INC.
 P.O. Box 230, Vairico, FL 33595
 Phone No.: 813.659.9197
 FBPE Registry No. 9813



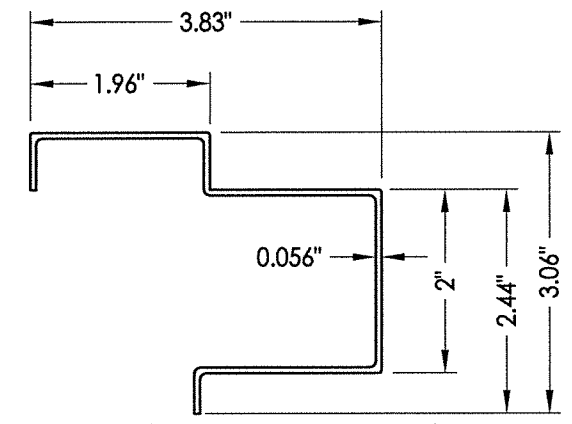
45 DOOR SWEEP



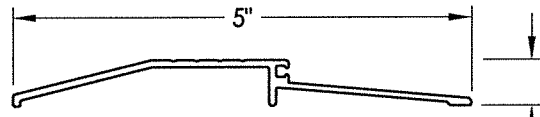
53 GLASS STOP



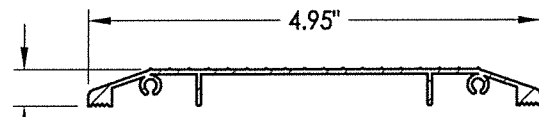
12 MULLION Z BRACKET



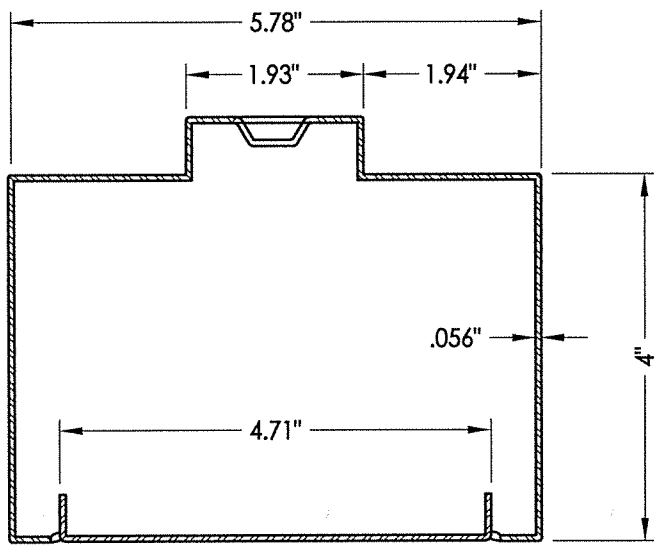
15 MULLION



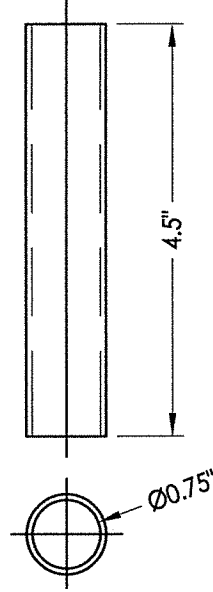
41 THRESHOLD



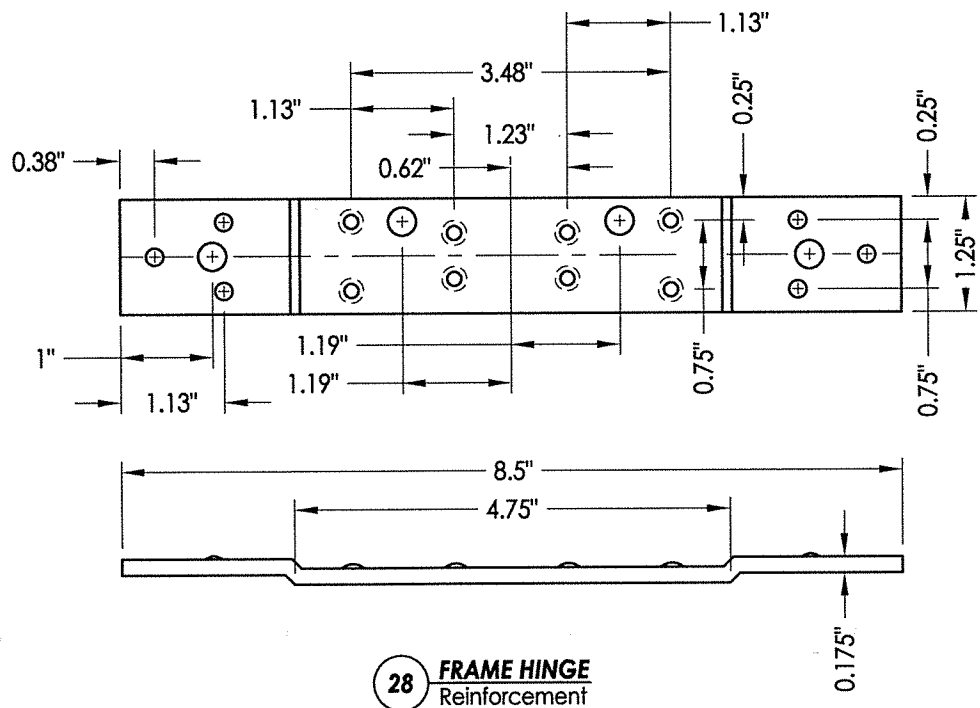
14 THRESHOLD



26 HOLLOW METAL FRAME SILL



83 SILL TUBE ANCHOR



28 FRAME HINGE Reinforcement

PRODUCT:	PREMIER PRODUCTS, INC.
PART OR ASSEMBLY:	"D" STEEL DOOR
BILL OF MATERIALS & COMPONENTS	
NO.	DATE
BY	
REVISIONS	
DATE:	11/10/22
SCALE:	N.T.S.
DWG. BY:	LFS
CHK. BY:	RW
DRAWING NO.:	FL-41788.9
SHEET	9 OF 9

© 2022 R.W. BUILDING CONSULTANTS INC.